

ESS20

Commercial/Industrial Filter Housings



Rainfresh ESS20 filter housing is constructed of durable stainless steel and meets general purpose industrial and commercial filtration needs.

The ESS20 Model cartridge filter housing accommodates 5 cartridges of 40" nominal length and 2.5" nominal diameter. The ESS20 filter housing handles liquids at pressures and temperatures of up to 150 psi at 250°F.

DESIGN FEATURES

- Heavy-duty, rugged SS304 construction
- Positive cartridge seal
- Clamp for quick and easy opening
- Housing uses 5 cartridges of 40"L x 2.5" Ø
- Sludge and Clean-side drains for simple and easy maintenance.
- Air-Vent for venting before start-up or draining.

SPECIFICATIONS

Table 'A' lists general specifications for ESS20 model housing. Note that maximum operating temperature and pressure is for housing only. Actual system operating conditions depend on the filter cartridge and gasket used in the housing.

BENEFITS

- Heavy Duty Design
- Rugged, Long-lasting SS Construction
- Easy Cartridge Change-out
- Top Pressure Relief Vent
- Dirty & Clean Side Drains for Simple Maintenance

Model	Inlet / Outlet	Max Pressure	Max Flow Rate*	Ideal Flow Rate	DIM Ht x Dia	No. of Cart.
ESS20	2" MNPT	150 psi 10 bar (Kg/cm ²)	140 GPM (530 LPM)	60 – 80 GPM for highest cartridge efficiency	49" x 10"	5 (40"Lx2.5" dia)

Cartridges not included

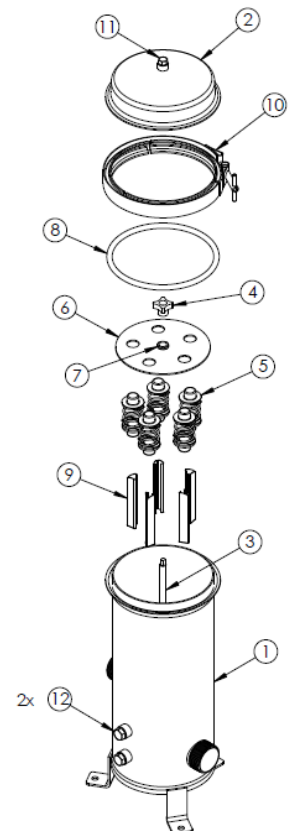
* - Flow rate shown is for empty housing only. Actual flow rate depends on filter cartridge used.

Table A: ESS20 Specifications

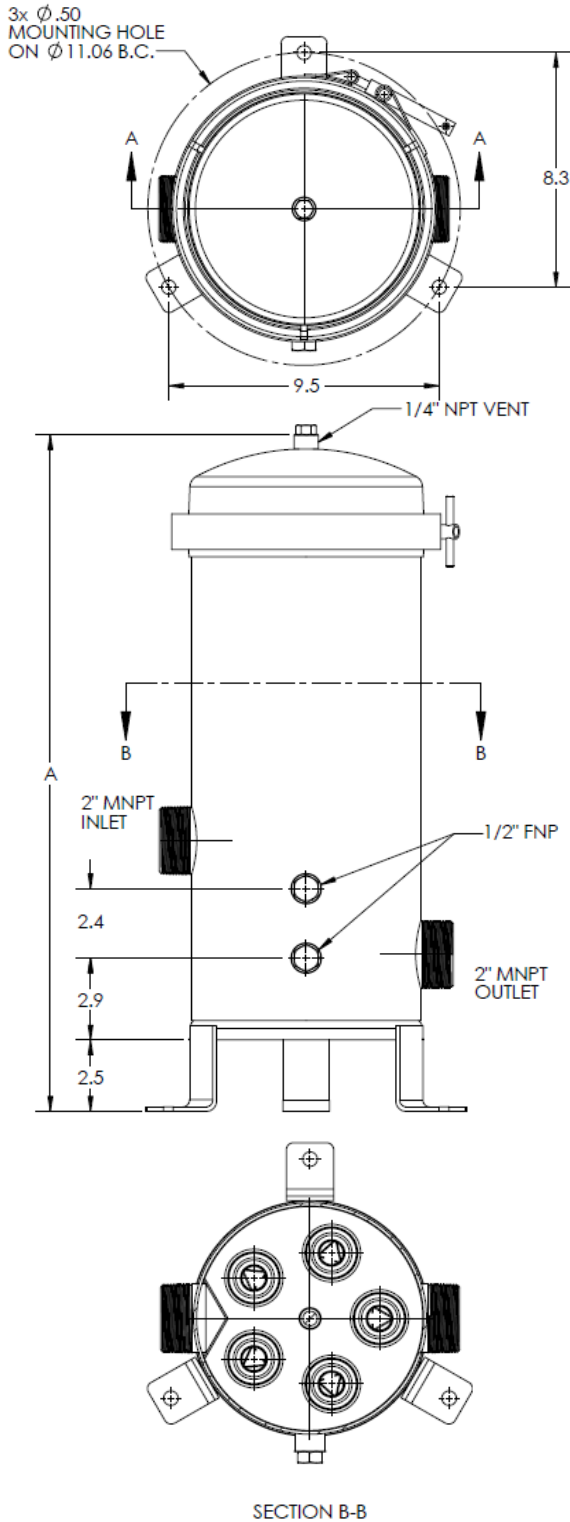
Caution: Do not use for air or compressed gas filtration

Cartridge model choices – MB40N__N (Add micron rating for part #. E.g. for 5µ cartridge, part # is MB40N05N.

Note: When sizing filtration system, amount of contaminant to be removed should be considered in addition to flow rate and desired pressure drop. Systems sized on low initial pressure drop enhance cartridge life.



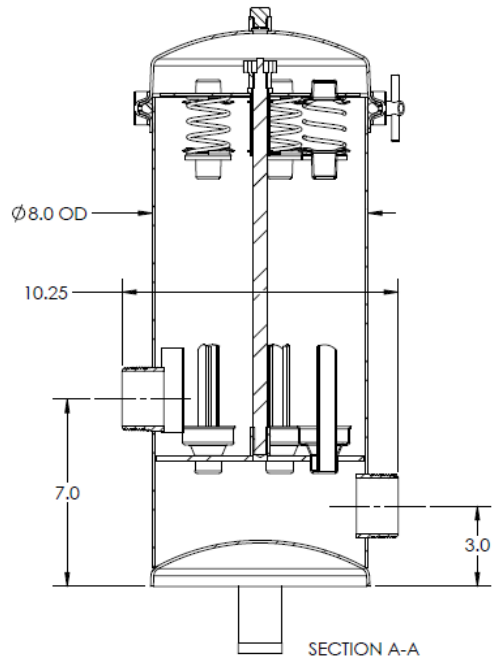
ESS20 TECHNICAL DETAILS



BILL OF MATERIALS		
1	FILTER HOUSING	1
2	LID	1
3	TIE ROD	1
4	TIE ROD NUT	1
5	SPRING ASSEMBLY	5
6	HOLD DOWN PLATE	1
7	HOLD DOWN PLATE POST WITH EXT RING KIT	1
8	O-RING, 199.5 mm, ID 11mm CS, BUNA	1
9	V-POST	5
10	V-BAND CLAMP	1
11	PIPE PLUG, 1/4" HEX HEAD	1
12	PIPE PLUG, 1/2" HEX HEAD	2

NOTE: UNLESS TOLERANCES ARE INDICATED, ALL DIMENSIONS ARE REFERENCE

BOXED WEIGHT : 46 LBS (20.8 KG)
BOX SIZE : 13" W X 13"D X 56"H



5 year limited warranty

SEP 2016



Envirogard Products Limited

446 Major Mackenzie Drive East,
Richmond Hill, ON L4C 1J2, CANADA

Toll Free: 1800 667 8072 ; Tel: 905 884 9388

Fax: 905 884 3532 ; E-Mail : info@rainfresh.ca

Web: www.rainfresh.ca