

ESS28

Commercial/Industrial Filter Housings



Rainfresh ESS28 filter housing is constructed of durable stainless steel and meets general purpose industrial and commercial filtration needs.

The ESS28 Model cartridge filter housing accommodates 7 cartridges of 40" nominal length and 2.5" nominal diameter. The ESS28 filter housing handles liquids at pressures and temperatures of up to 150 psi at 250 °F.

DESIGN FEATURES

- Heavy-duty, rugged SS304 construction
- Positive cartridge seal
- Clamp for quick and easy opening
- Housing uses 40" long x 2.5" dia cartridges.
- Sludge and Clean-side drains for simple and easy maintenance.
- Air-Vent for venting before start-up or draining.

BENEFITS

- ◆ Heavy Duty Design
- ◆ Rugged, Long-lasting SS Construction
- ◆ Easy Cartridge Change-out
- ◆ Top Pressure Relief Vent
- ◆ Dirty & Clean Side Drains for Simple Maintenance

SPECIFICATIONS

Table 'A' lists general specifications for ESS28 model housing. Note that maximum operating temperature and pressure is for housing only. Actual system operating conditions depend on the filter cartridge and gasket used in the housing.

Model	Inlet / Outlet	Max Pressure	Max Housing Flow Rate	Ideal Flow Rate	Dimensions Ht x Dia	No. of Cart.	Shipping Wt
ESS 28	3" Flanged	150 psi 10 bar (Kg/cm ²)	196 US GPM (635 LPM)	84 - 112 GPM for highest cartridge efficiency	57.7" x 14.6"	7 (40"L x 2.5" dia)	132 lbs 60 Kg

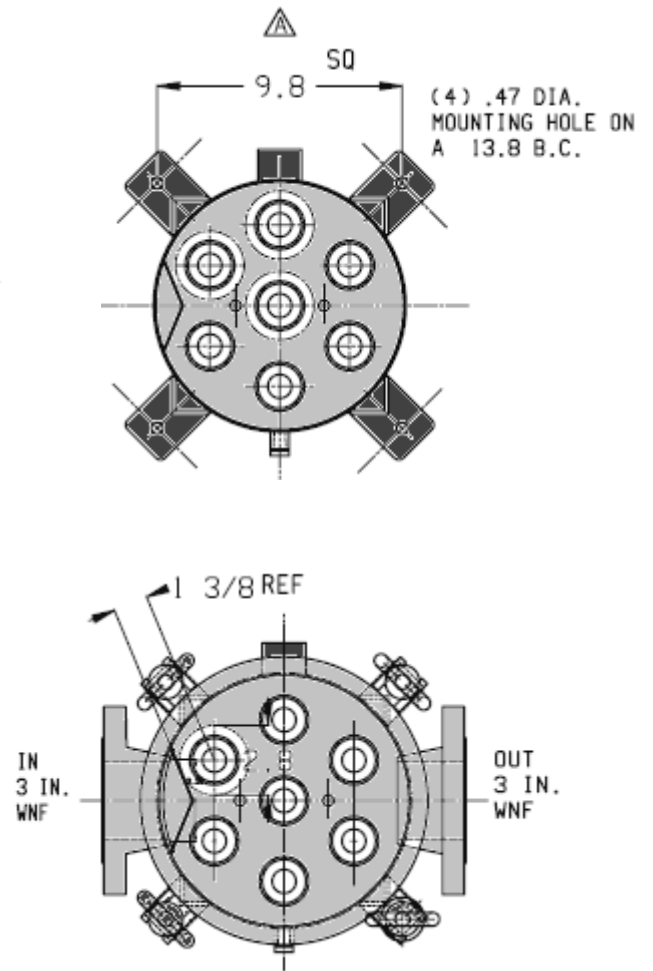
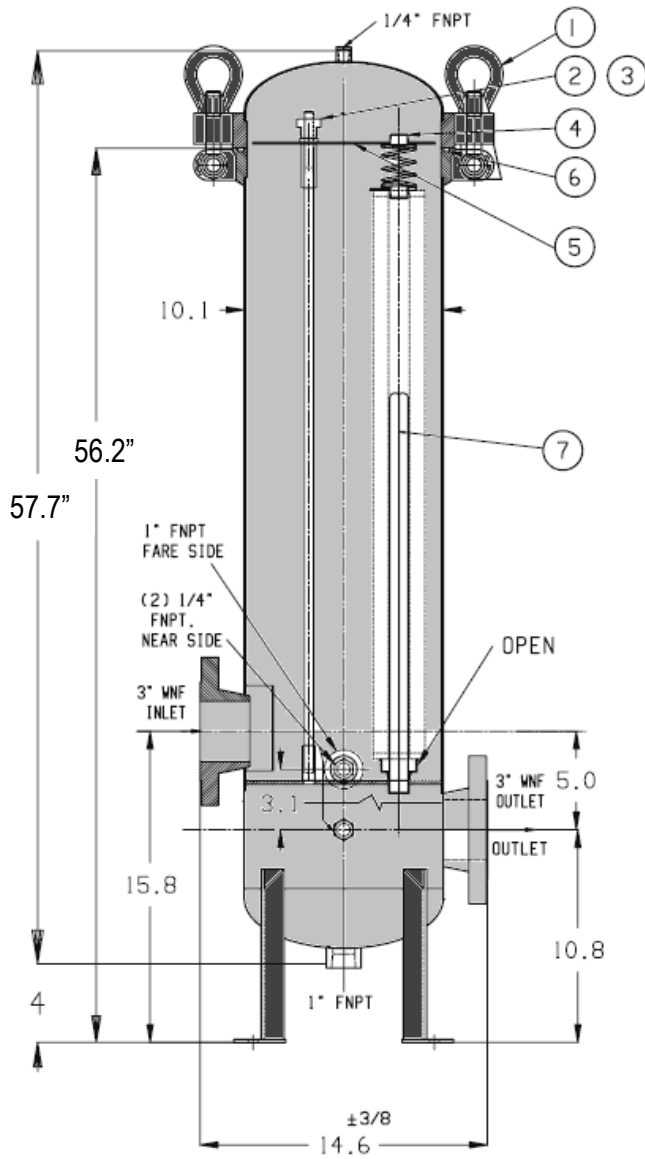
Cartridges not included

Table A: ESS28 Specifications

Caution: Do not use for air or compressed gas filtration

Cartridge model choices – MB40N__N (Add micron rating for part #. E.g. for 5µ cartridge, part # is MB40N05N.

Note: When sizing filtration system, amount of contaminant to be removed should be considered in addition to flow rate and desired pressure drop. Systems sized on low initial pressure drop enhance cartridge life.



ITEM	QTY	DESCRIPTION
1	4	Eyebolt kit
2	2	Tie rod nut (M12)
3	2	Tie rod, threaded both ends (M12)
4	7	Spring hold down
5	1	Hold down plate
6	1	Seal O-ring Buna-N, Std
7	7	V-post

5 year limited warranty

SEP 2016



Envirogard Products Limited

446 Major Mackenzie Drive East,
Richmond Hill, ON L4C 1J2, CANADA

Toll Free: 1800 667 8072 ; Tel: 905 884 9388

Fax: 905 884 3532 ; E-Mail : info@rainfresh.ca

Web: www.rainfresh.ca