

ESS48

Commercial/Industrial Filter Housings



Rainfresh ESS48 filter housing is constructed of durable stainless steel and meets general purpose industrial and commercial filtration needs.

The ESS48 Model cartridge filter housing accommodates 12 cartridges of 40" nominal length and 2.5" nominal diameter. The ESS48 filter housing handles liquids at pressures and temperatures of up to 150 psi at 250°F.

DESIGN FEATURES

- Heavy-duty, rugged SS304/316 construction
- Positive cartridge seal
- Clamp for quick and easy opening
- Housing uses 40" L x 2.5" dia cartridges.
- Sludge and Clean-side drains for simple and easy maintenance.
- Air-Vent for venting before start-up or draining.

BENEFITS

- ◆ Heavy Duty Design
- ◆ Rugged, Long-lasting SS Construction
- ◆ Easy Cartridge Change-out
- ◆ Top Pressure Relief Vent
- ◆ Dirty & Clean Side Drains for Simple Maintenance

SPECIFICATIONS

Table 'A' lists general specifications for ESS48 model housing. Note that maximum operating temperature and pressure is for housing only. Actual system operating conditions depend on the filter cartridge and gasket used in the housing.

Model	Inlet / Outlet	Max Pressure	Max Housing Flow Rate	Ideal Flow Rate	Dimensions Ht x Dia	No. of Cart.	Shipping Wt
ESS 48	3" Flanged	150 psi 10 bar (Kg/cm ²)	336 US GPM (1,272 LPM)	144 - 192 GPM for highest cartridge efficiency	49" x 17"	12 (40"L x 2.5" dia)	160 lbs 72.7 Kg

Cartridges not included

Table A: ESS48 Specifications

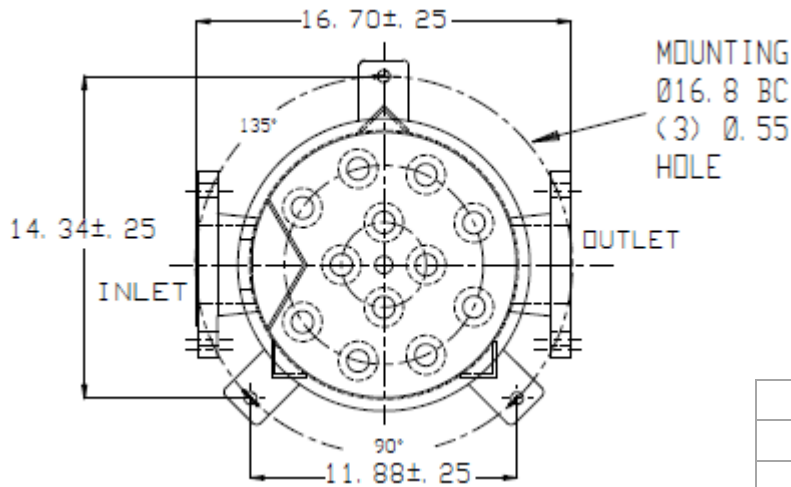
Caution: Do not use for air or compressed gas filtration

Cartridge model choices: Model MB40N_N (Add micron rating for part #. E.g. for 5µ cartridge, part # is MB40N05N.

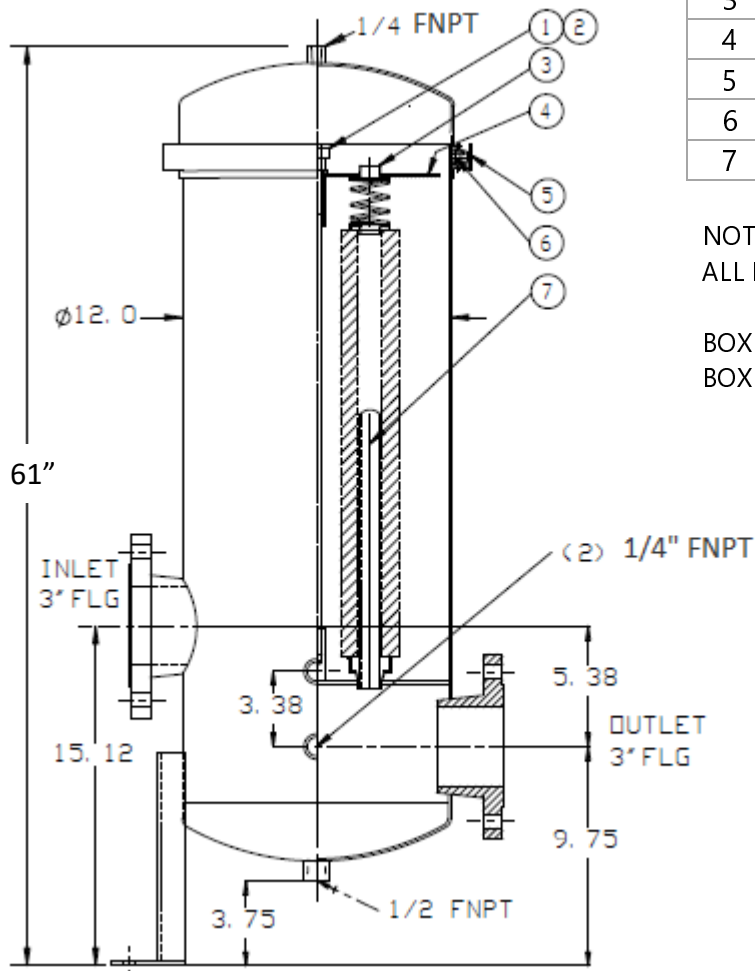
Differential pressure depends on cartridge used. Typical clean pressure drop is 10-12 psi.

Note: When sizing filtration system, amount of contaminant to be removed should be considered in addition to flow rate and desired pressure drop. Systems sized on low initial pressure drop enhance cartridge life.

ESS48 TECHNICAL DETAILS



BILL OF MATERIALS		
1	TIE ROD NUT	1
2	TIE ROD	1
3	SPRING HOLD DOWN	12
4	HOLD DOWN PLATE	1
5	V-BAND CLAMP	1
6	O-RING, 299 X 16	1
7	V-POST	12



NOTE: UNLESS TOLERANCES ARE INDICATED,
ALL DIMENSIONS ARE REFERENCE

BOXED WEIGHT : 139 LBS (63 KG)
BOX SIZE : 19" W X 20" D X 64" H

5 year limited warranty

Sep 2016



Envirogard Products Limited

446 Major Mackenzie Drive East, Richmond Hill, ON L4C 1J2, CANADA

Toll Free: 1800 667 8072 ; Tel: 905 884 9388

Fax: 905 884 3532 ; E-Mail : info@rainfresh.ca

Web: www.rainfresh.ca