

ESS8

Commercial/Industrial Filter Housings



Rainfresh’s ESS8 model filter housings, constructed of durable stainless steel, meet general purpose industrial and commercial filtration needs.

The ESS8 Model cartridge filter housing accommodates four cartridges of 20” nominal length and 2.5” dia. The ESS8 filter housing handles liquids at pressures and temperatures of up to 150 psi at 250°F.

DESIGN FEATURES

- Heavy-duty, rugged SS304/316 construction
- Positive cartridge seal
- Clamp for quick and easy

FEATURES

- ◆ Heavy Duty Design
- ◆ Rugged, Long-lasting SS Construction
- ◆ Easy Cartridge Change-out
- ◆ Top Pressure Relief Vent
- ◆ Dirty & Clean Side Drains for Simple Maintenance

opening

- Housing uses 19¾”, 19 7/8” or 20” filter cartridge
- Sludge and Clean-side drains for simple and easy maintenance.
- Air-Vent for venting before start-up or draining.

SPECIFICATIONS

Table ‘A’ lists general specifications for ESS8 model housing. Note that maximum operating temperature and pressure is for housing only. Actual system operating conditions depend on the filter cartridge and gasket used in the housing.

Model	Inlet / Outlet	Max Pressure	Max Flow Rate	Ideal Flow Rate	Dimensions Ht x Dia	No. of Cart.	Shipping Wt
ESS 8	2” MNPT	150 psi 10 bar (Kg/cm ²)	56 GPM 212 LPM	24 – 32 GPM for highest cartridge efficiency	29” x 10”	4 (20”x2.5”)	30 lbs 13.6 Kg

Table A: ESS8 Specifications

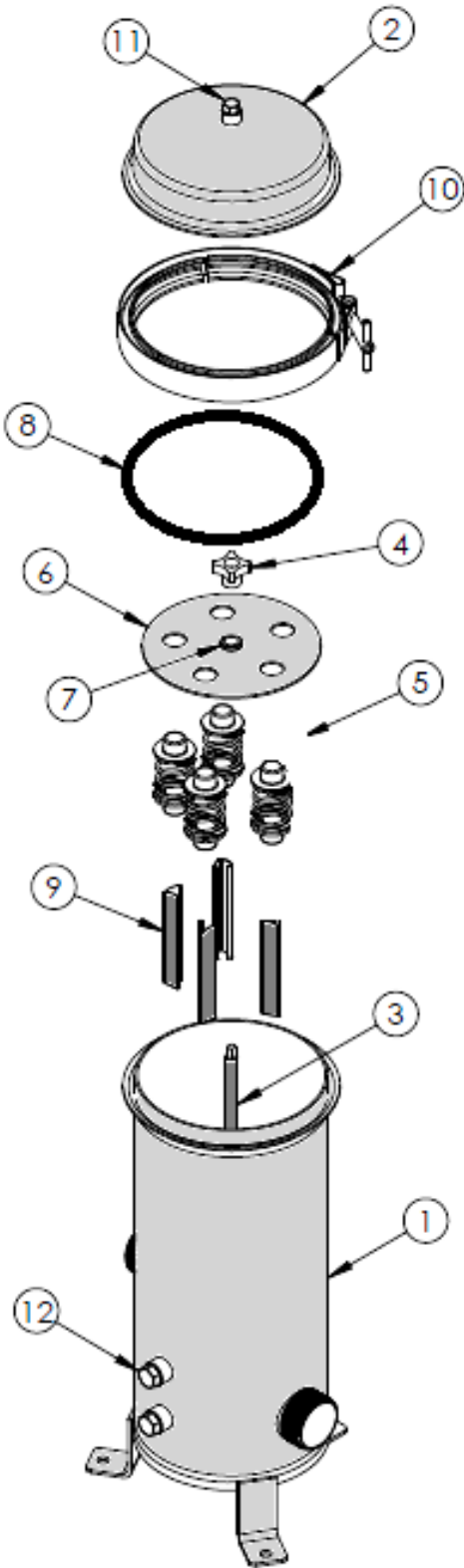
Cartridges not included

Caution: Do not use for air or compressed gas filtration

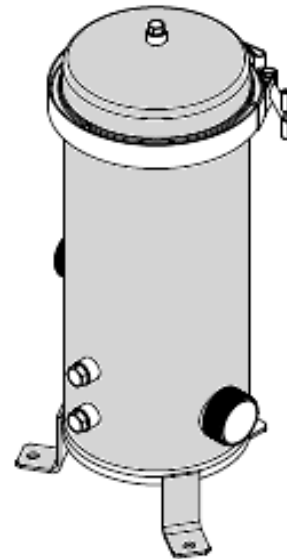
Cartridge model choices – MB20N__N (Add micron rating for part #. E.g. for 5µ cartridge, part # is MB20N05N.

Note: When sizing filtration system, amount of contaminant to be removed should be considered in addition to flow rate and desired pressure drop. Systems sized on low initial pressure drop enhance cartridge life.

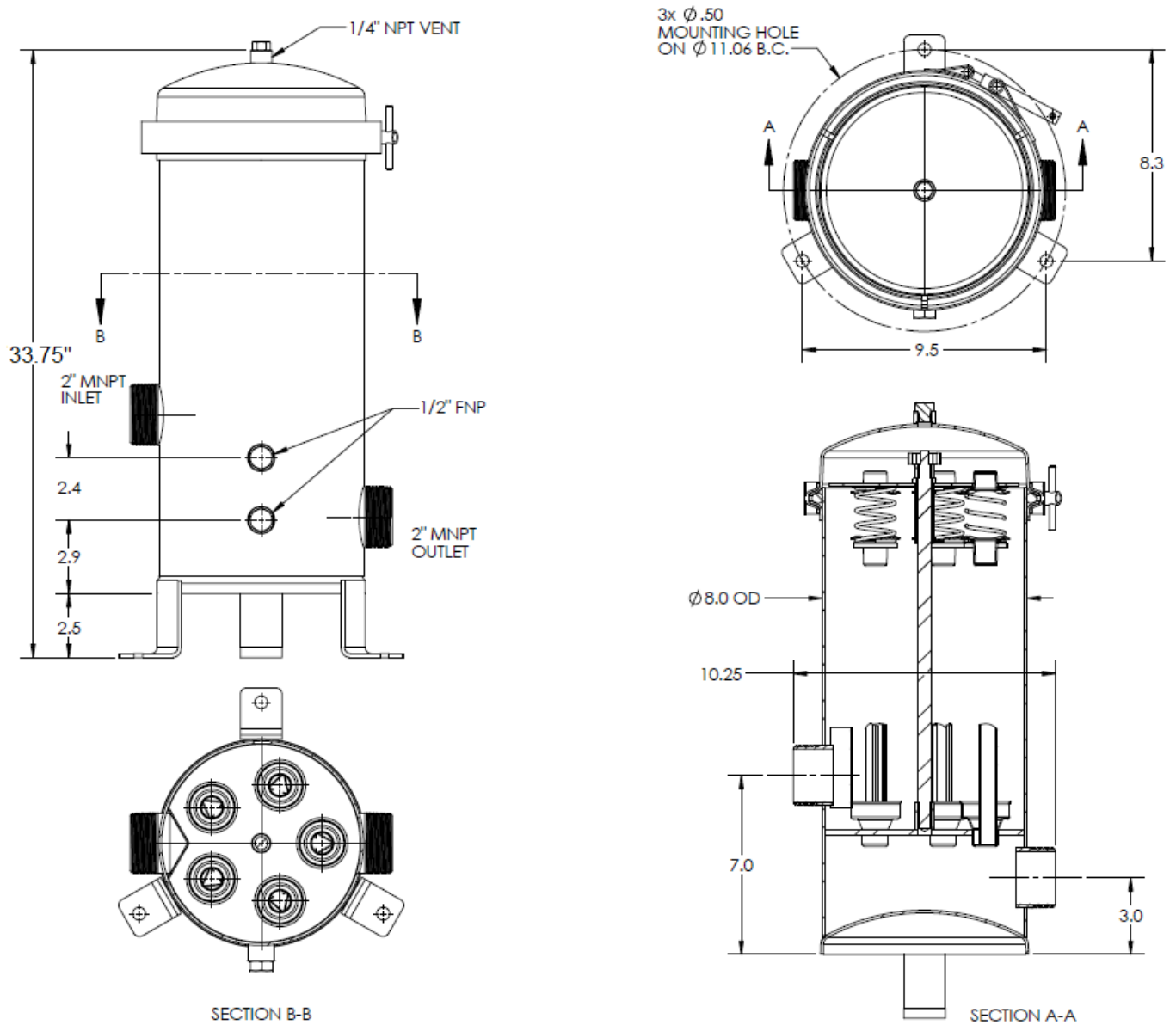
PARTS LIST



Part #	Description	Qty
1	Filter Housing body (304SS or 316SS)	1
2	Lid for housing (304SS or 316SS)	1
3	Tie rod (304SS or 316SS)	1
4	Tie rod nut (304SS or 316SS)	1
5	Spring assembly for filter cartridge sealing	4
6	Hold down plate	1
7	Hold down plate post with ext return ring kit (304SS or 316SS)	1
8	O-ring 199.5 mm ID, 11 mm CS, BUNA	1
9	V post (304SS or 316SS)	4
10	V-band clamp	1
11	Pipe plug, ¼" HEX head (304SS or 316SS)	1
12	Pipe plug, ½", HEX head (304SS or 316SS)	1



DIMENSIONS AND CROSS SECTION



5 year limited warranty

About Envirogard

For over 50 years, Envirogard has been leading the water treatment industry in Canada by providing high quality products and solutions at affordable prices. "Rainfresh" brand products are used by homeowners & commercial facilities across Canada and in over 40 countries worldwide.

Aug 2016



Envirogard Products Limited

446 Major Mackenzie Drive East, Richmond Hill, ON L4C 1J2, CANADA

Toll Free: 1800 667 8072 ; Tel: 001 905 884 9388

Fax: 001 905 884 3532 ; E-Mail : info@rainfresh.ca

Web: www.rainfresh.ca