

UCS2

UNDERSINK DRINKING WATER SYSTEM



Rainfresh UCS2 is a premium undersink drinking water system that reduces harmful suspended and dissolved contaminants from water. It can be used on both treated and untreated waters (such as from lakes, rivers etc).

It incorporates a triple-stage filtration design that includes a high grade activated carbon filter followed by a ceramic filter with an activated carbon core. UCS2 system:

- Traps & kills > 99.99999 bacteria (e.g. E. coli) and > 99.95% cyst (Cryptosporidium & Giardia) & other parasites
- Reduces common pesticides such as lindane
- Reduces chlorine, taste and odour
- Reduces >99.99% of sediment and particulate matter of 0.3 micron



UCS2 is independently lab tested for reduction of coliform, E. coli & other bacteria (see below)

Contaminant	Reduction Efficiency	Log Reduction
E. coli (Faecal Coliform)	> 99.99999%	> 6 log
Serratia marcescens	> 99.99999%	> 6 log
Salmonella typhimurium (Typhoid)	> 99.99999%	> 6 log
Vibrio Cholera (Cholera)	> 99.99999%	> 6 log
Shigella dysenterie (Dysentery)	> 99.99999%	> 6 log
Klebsiella terrigena	> 99.99999%	> 6 log

PROTECTS AGAINST

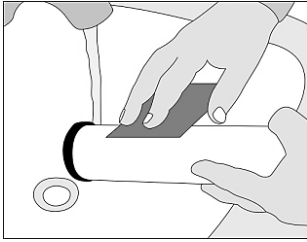
- Coliform Bacteria (e.g. E. coli)
- Cryptosporidium & Giardia Cysts
- Lindane (Pesticide)
- Chlorine, taste, odour
- Sediment (0.3 micron)

Unique Features

Easy Open Housings

Rainfresh UCS2 features an easy-open housing that does not require a wrench. Simply hold the sump by hand, rotate 1/8 turn and the sump detaches. This makes cartridge changes easy with no need for a wrench or tools. It also features a manual pressure relief valve to vent pressure before cartridge replacement or cleaning.





Cleanable Ceramic Cartridge

Rainfresh's proprietary ceramic filter cartridge (model 1M) can be cleaned and reused up to a 100 times



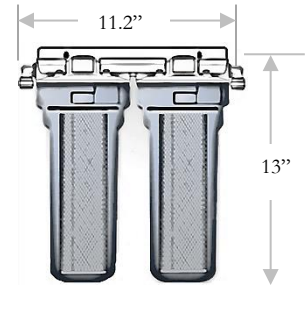
Modern Chrome Faucet

Includes ceramic-disc modern style chrome faucet for dispensing safe, clean water at the turn of a handle!

System Dimensions

Model	Unit Width	Unit Height	Unit Depth
UCS2*	11.2" (285 mm)	13" (330 mm)	5" (127 mm)

* - a) For cold water use only. This product is for residential use only. Not for use in buildings over 4 storeys
 b) Includes supply valve, tubing and ceramic disc chrome faucet.



Operating Specifications

Inlet/Outlet Connections : 3/8"
 Max. Service Flow Rate : 0.75 US GPM (2.8 LPM)
 Max. Temperature : 100 F (38°C)
 Max. Pressure : 100 psi (689 kPa)**

** If pressure surges or water hammer conditions exist, a pressure regulator and/or water hammer arrestor should be installed.



Drinking Water
 CSA B483.1
 NSF/ANSI 53, 42
 NSF/ANSI 372

Cartridge Specifications

Filter Cartridge Model	Cartridge Type	Rated Cartridge Life ^
CF2	Activated carbon block PRE-FILTER	6 months or 600 US gal (2,271 Litres)
1M	BACTERIA & CYST Ceramic filter	12 months or 1,000 US gal (3,785 Litres)

^Cartridge life may vary with water quality and usage.



Limited 5 year warranty

Envirogard Products Limited

446 Major Mackenzie Drive East,
 Richmond Hill, ON L4C 1J2, CANADA

Toll-free: 1 800 667 8072 ; Tel: (905) 884 9388; Fax: (905) 884 3532

E-Mail: info@rainfresh.ca ; Web: www.rainfresh.ca

