

ESS12

Commercial / Industrial Filter Housings



Rainfresh ESS12 filter housing is constructed of durable stainless steel and meets general purpose industrial and commercial filtration needs such as process or potable water.

The ESS12 Model cartridge filter housing accommodates four cartridges of 30" nominal length and 2.5" diameter and handles liquids at pressures and temperatures of up to 150 psi at 176°F.

Design Features

- Heavy-duty, rugged SS304/316 construction
- Positive cartridge seal
- Clamp for quick and easy opening
- Heavy duty welded mounting support legs standard
- Poly-coat finish (exterior only)
- Housing uses 4 cartridges of 30" nominal length and 2.5" diameter
- Sludge and Clean-side drains for simple and easy maintenance.
- Air-Vent for venting before start-up or draining.

Specifications

Table 'A' lists general specifications for ESS12 model housing. Note that maximum operating temperature and pressure is for housing only. Actual system operating conditions depend on the filter cartridge and gasket used in the housing.

BENEFITS

- Heavy Duty Design
- Rugged, Long-lasting SS Construction
- Easy Cartridge Change-out
- Top Pressure Relief Vent
- Dirty & Clean Side Drains for Simple Maintenance

APPLICATIONS

- Commercial buildings, motels, etc.
- Commercial kitchens
- Industrial process or wash water
- Water treatment plants

Model	Inlet / Outlet	Max Pressure	Max Flow Rate	Max Water Temp	Ideal Flow Rate	Dimensions Ht x Dia	No. of Cart.	Shipping Wt
ESS 12	2" MNPT	150 psi 10 bar (Kg/cm ²)	84 GPM 318 LPM	80°C (176°F)	36 – 48 GPM for highest cartridge efficiency	39" x 10"	4 (30" L x 2.5" dia)	40 lbs 18.2 Kg

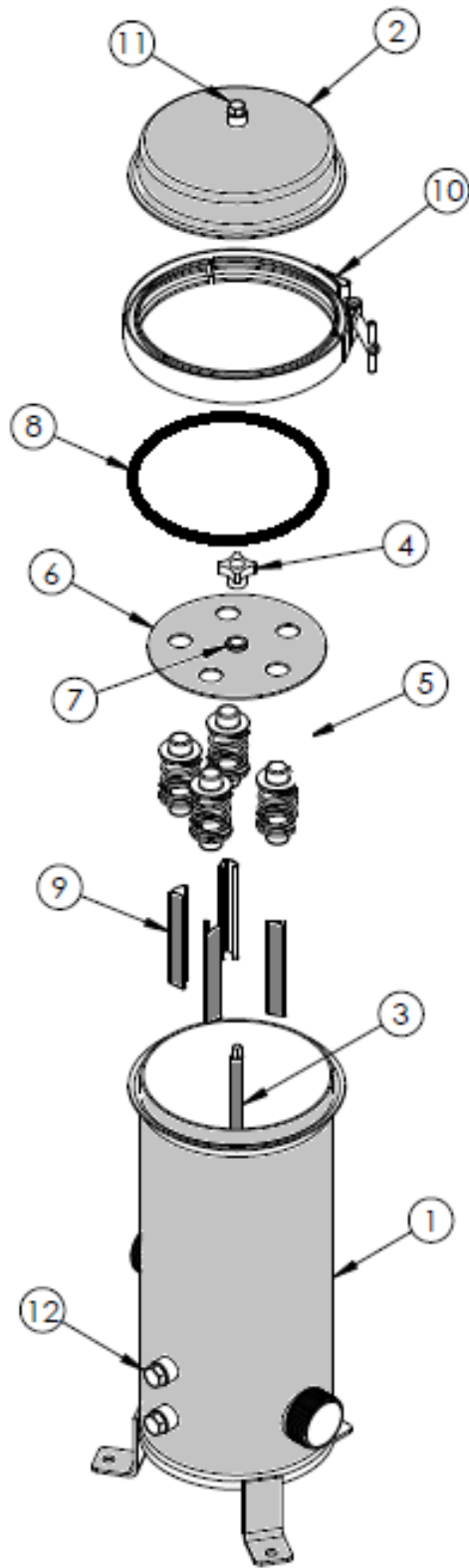
Cartridges not included.

Table A: ESS12 Specifications

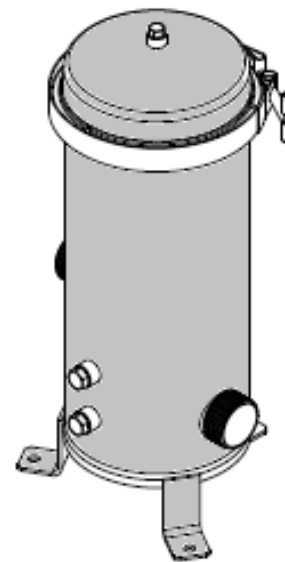
Cartridge model choices – MB30N__N (Add micron rating for part #. E.g. for 5µ cartridge, part # is MB30N05N.

Note: When sizing filtration system, amount of contaminant to be removed should be considered in addition to flow rate and desired pressure drop. Systems sized on low initial pressure drop enhance cartridge life.

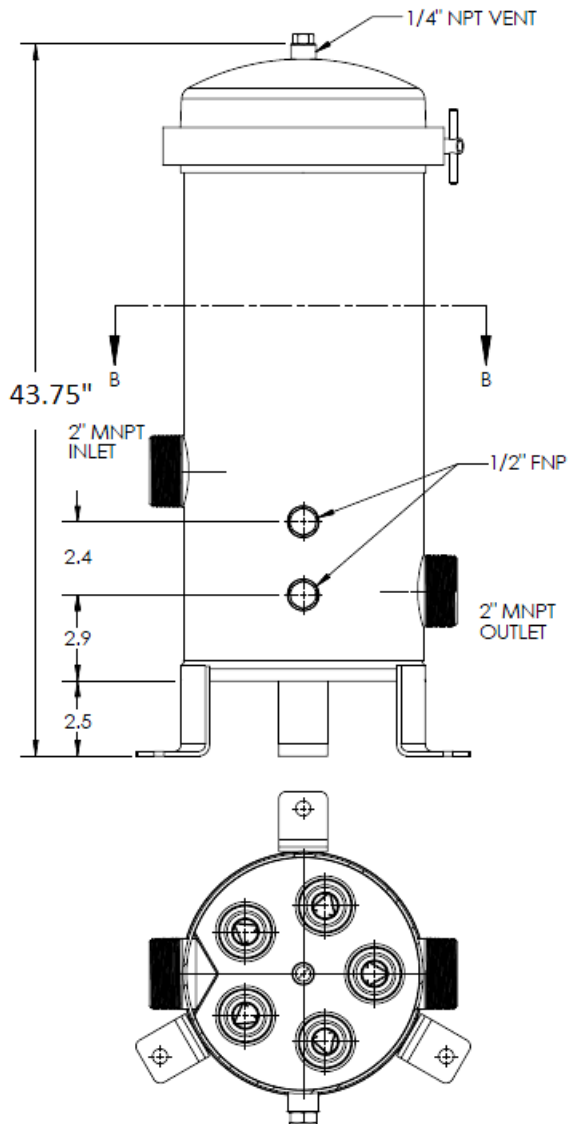
PARTS LIST



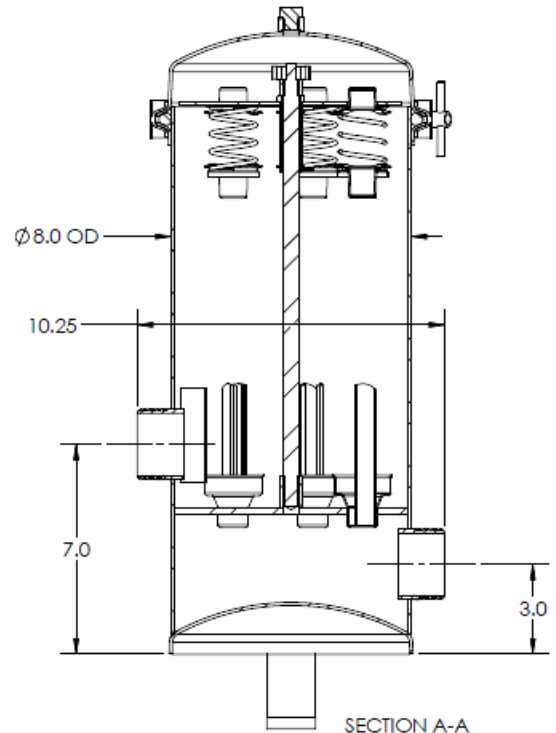
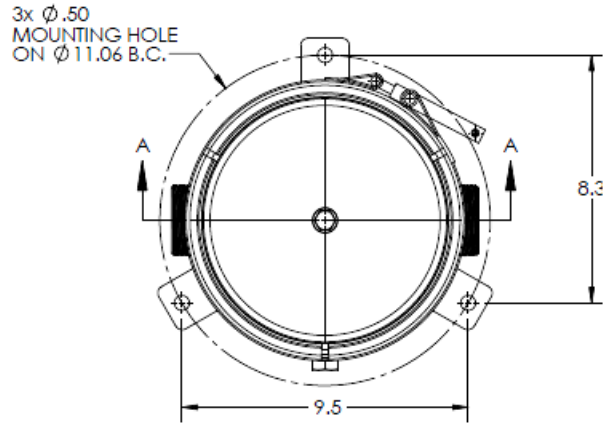
Part #	Description	Qty
1	Filter Housing body (304SS or 316SS)	1
2	Lid for housing (304SS or 316SS)	1
3	Tie rod (304SS or 316SS)	1
4	Tie rod nut (304SS or 316SS)	1
5	Spring assembly for filter cartridge sealing	4
6	Hold down plate	1
7	Hold down plate post with ext return ring kit (304SS or 316SS)	1
8	O-ring 199.5 mm ID, 11 mm CS, BUNA	1
9	V post (304SS or 316SS)	4
10	V-band clamp	1
11	Pipe plug, ¼" HEX head (304SS or 316SS)	1
12	Pipe plug, ½", HEX head (304SS or 316SS)	1



DIMENSIONS AND CROSS SECTION



SECTION B-B



SECTION A-A

NOTE : UNLESS TOLERANCES ARE INDICATED, ALL DIMENSIONS ARE REFERENCE

5 year limited warranty

About Envirogard

For over 50 years, Envirogard has been leading the water treatment industry in Canada by providing high quality products and solutions at affordable prices. "Rainfresh" brand products are used by homeowners & commercial facilities across Canada and in over 40 countries worldwide.

Feb 2019



Envirogard Products Limited

446 Major Mackenzie Drive East,
Richmond Hill, ON L4C 1J2, CANADA

Toll Free: 1800 667 8072 ; **Tel:** (905) 884 9388

Fax: (905) 884 3532 ; **E-Mail :** info@rainfresh.ca

Web: www.rainfresh.ca